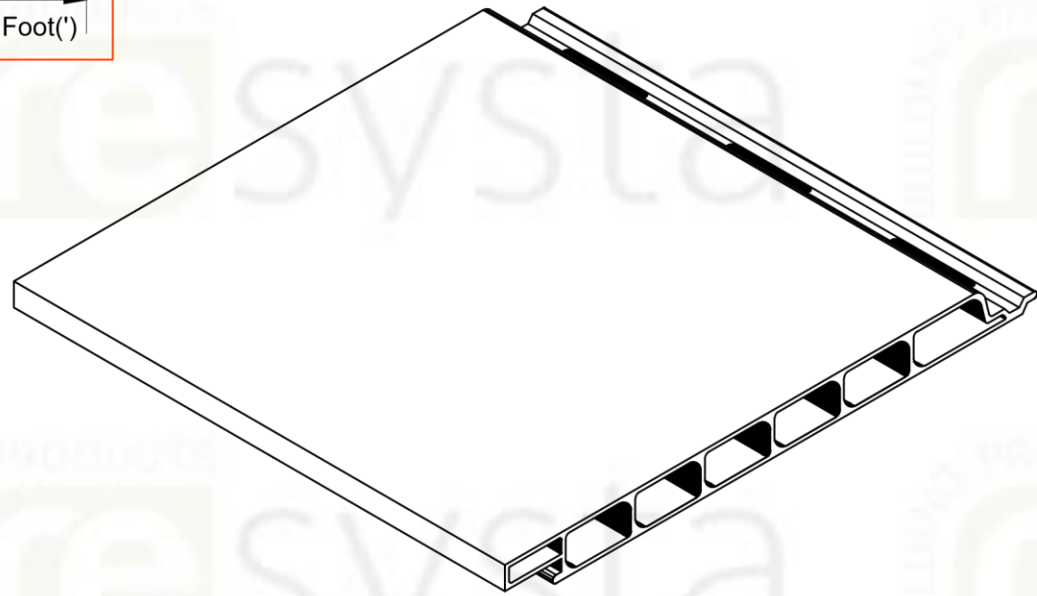


DIMENSION LEGEND

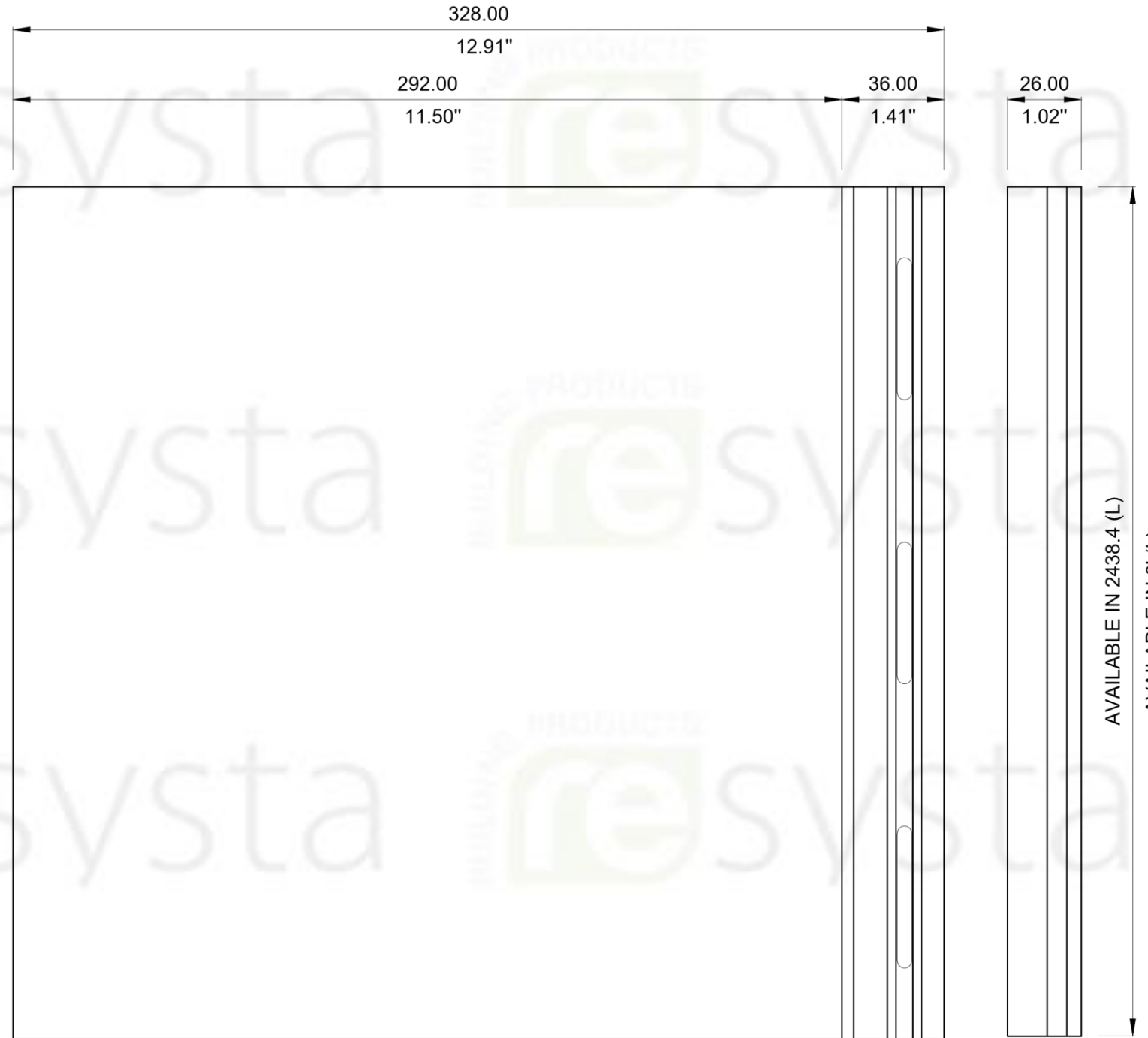
Millimeter (mm)
Inches(") / Foot(')



1 ISOMETRIC VIEW
S-3 SCALE 1:2



2 FRONT ELEVATION
S-3 SCALE 1:2



3 PLAN
S-3 SCALE 1:2

4 SIDE ELEV.
S-3 SCALE 1:2



NOTE

THIS DRAWING AS AN INSTRUMENT OF SERVICE, IS THE PROPERTY OF RESYSTA AND AS SUCH MUST NOT BE REPRODUCED OR COPIED IN PART OR IN WHOLE WITHOUT THE PERMISSION OF THE AUTHOR.

TITLE

SIDING PROFILE 12"
RESCPH011208

SPECIFICATION

TECHNICAL DRAWING
SPECIFICATION

CAD BY: M.T.C.

CHECKED BY: C.R.E.

SHEET CONTENT

ISOMETRIC VIEW
FRONT ELEVATION
PLAN
SIDE ELEVATION

SHEET SIZE

A3

DRAWING NO.

S-3

DATE

12.12.22

REVISION

0

CONTINENT

RESYSTA
USA