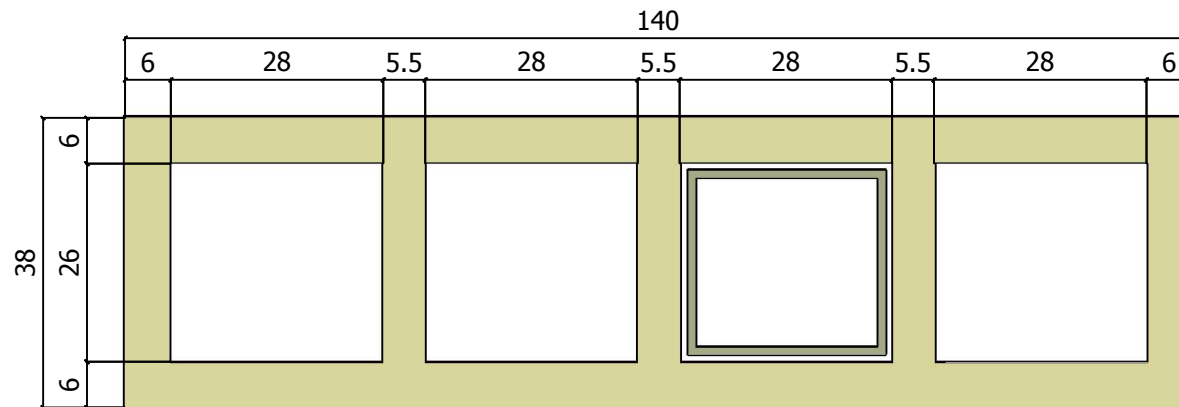


ISOMETRIC VIEW
RESGCI020612*



FRONT ELEVATION
RESGCI020612*



TITLE:
RESGCI020612*
1 1/2" X 5 1/2" (140MM X 38MM)
General Construction with Aluminum

NOTE:
RESYSTA USA PROFILE
DRAWING ARE IN MILLIMETERS

DATE
MAY 11, 2021

REV	DATE	REV	DATE

COMMENTS

DRAWN BY: CRE
SCALE: 1:1
DRAWING NO.: RESGCI020612*-2021
SIZE: