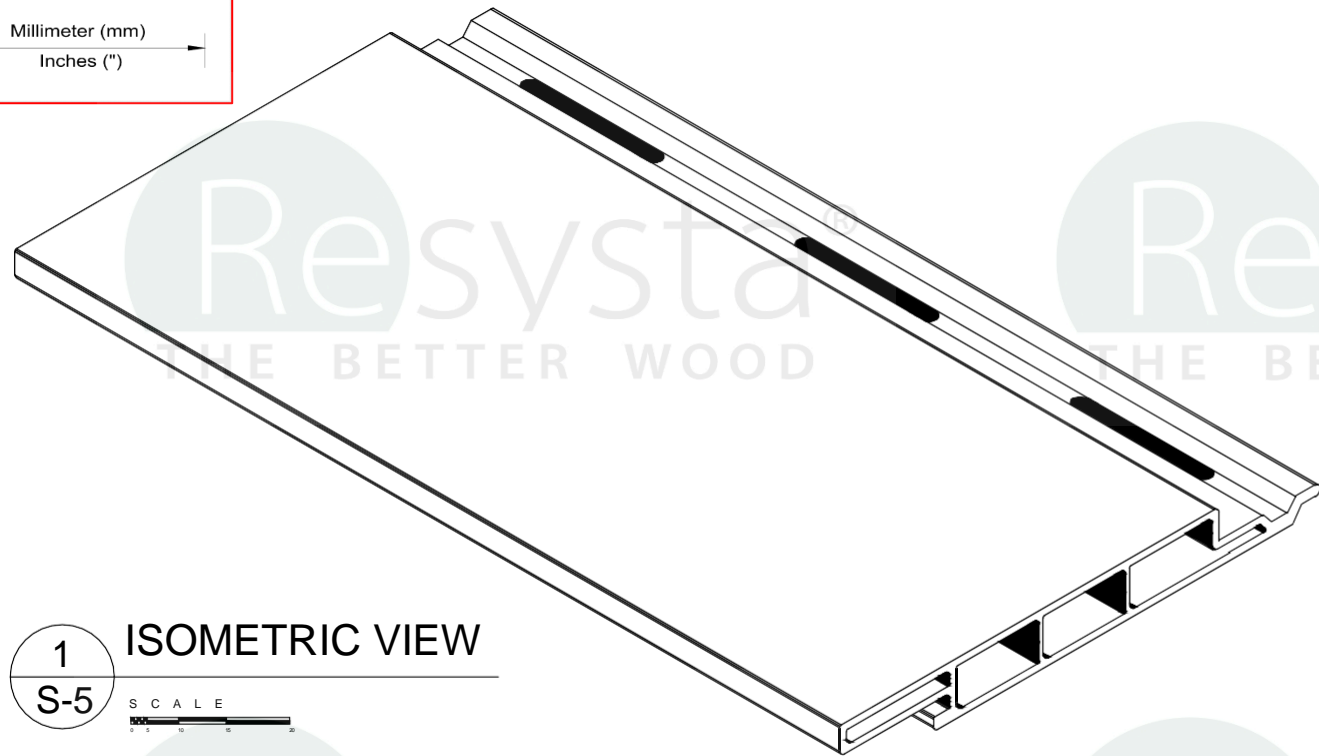
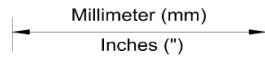
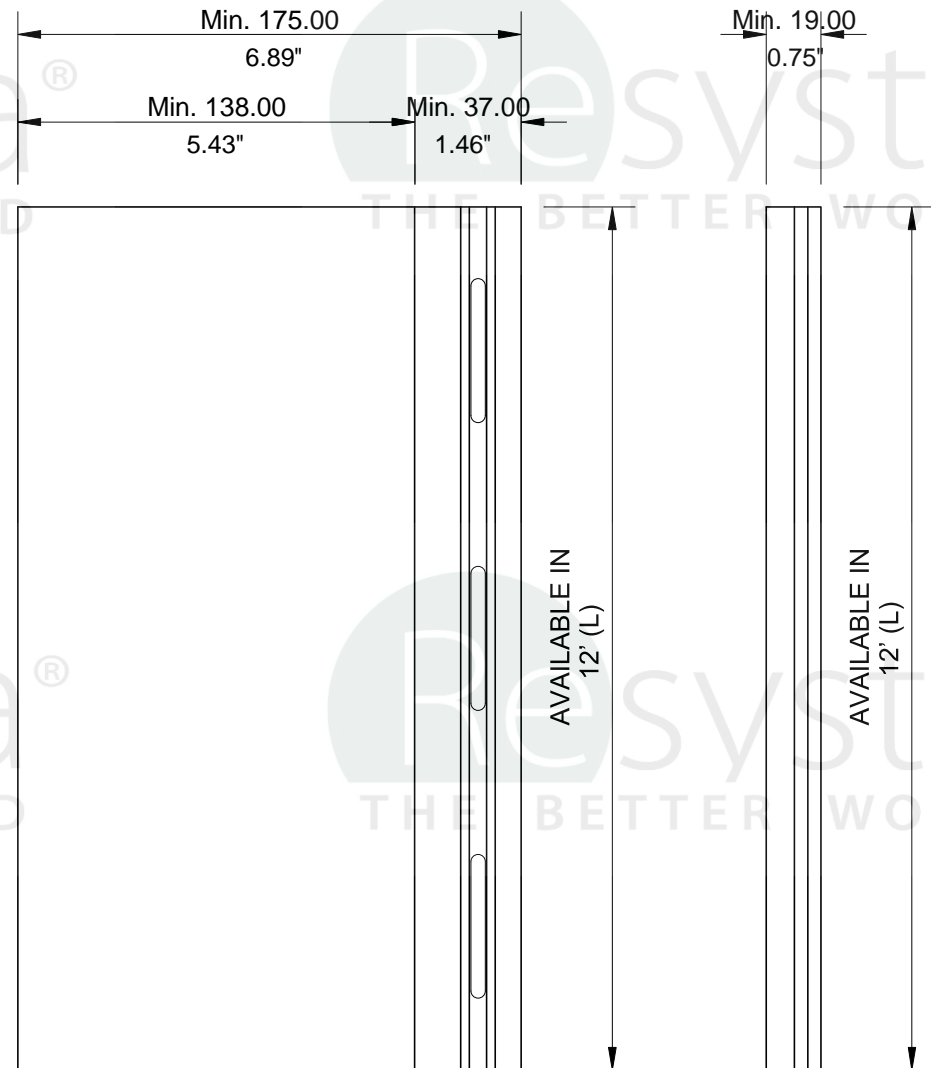


DIMENSION LEGEND



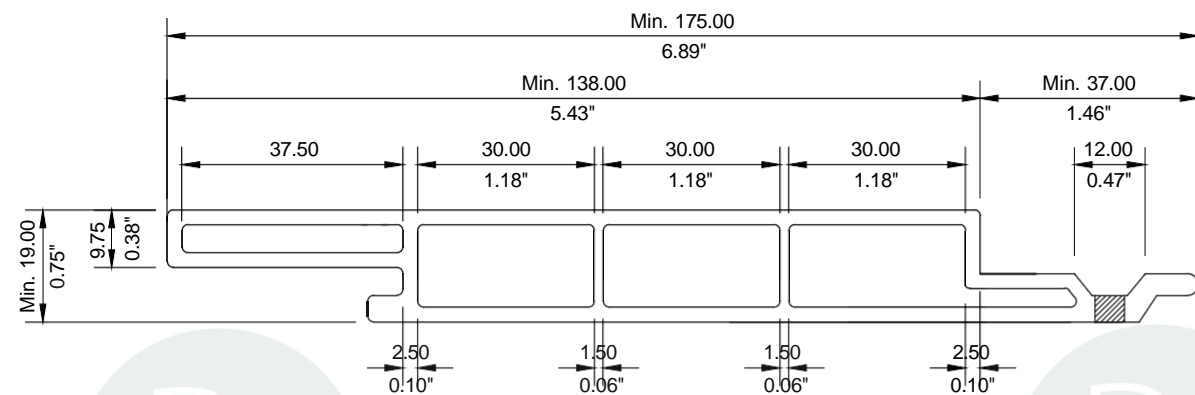
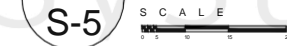
1 ISOMETRIC VIEW



3 PLAN



4 SIDE ELEVATION



2 FRONT ELEVATION



NOTE

THIS DRAWING AS AN INSTRUMENT OF SERVICE, IS THE PROPERTY OF RESYSTA AND AS SUCH MUST NOT BE REPRODUCED OR COPIED IN PART OR IN WHOLE WITHOUT THE PERMISSION OF THE AUTHOR.

TITLE	SPECIFICATION	SHEET CONTENT	SHEET SIZE	DRAWING NO.
DECO SIDING PROFILE RESDP340612	TECHNICAL DRAWING SPECIFICATION	ISOMETRIC VIEW	A3	S-5
		FRONT ELEVATION		
		PLAN	DATE	REVISION
		SIDE ELEVATION	26.04.22	0